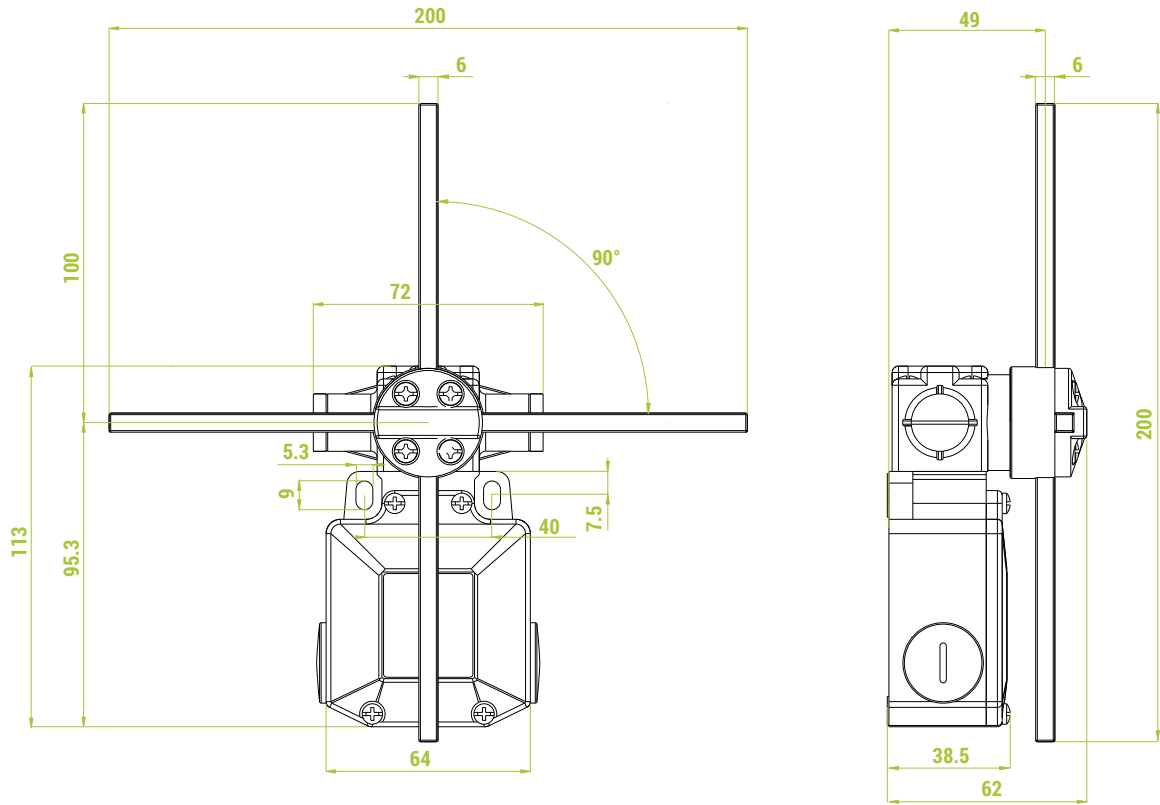
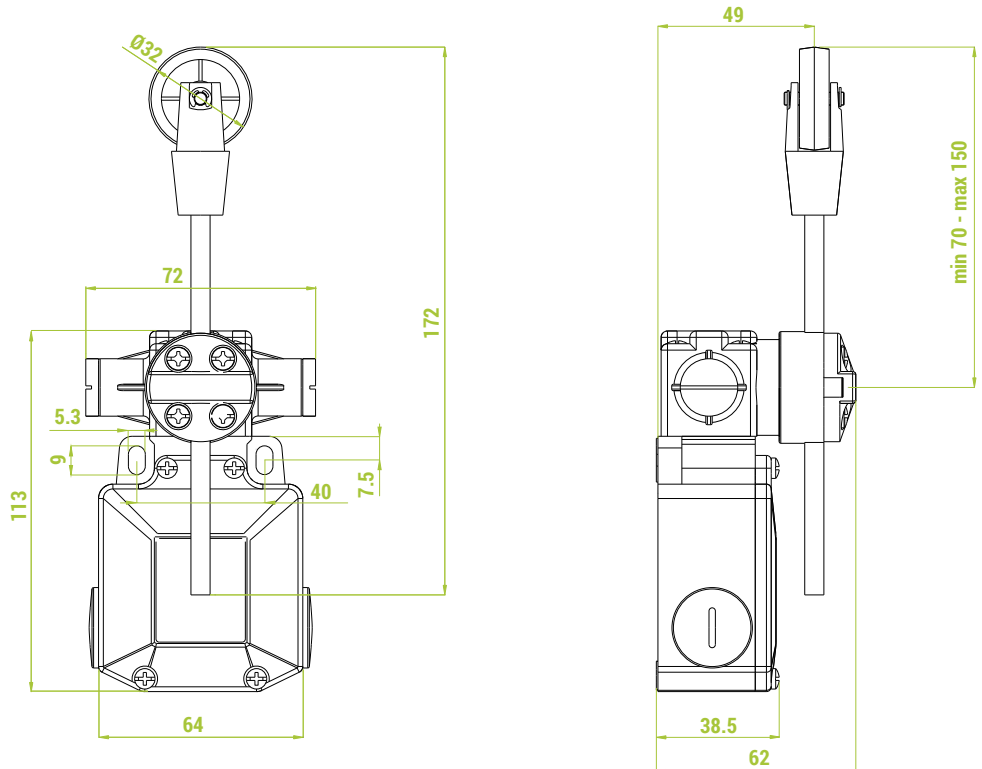


OVERALL DIMENSIONS (mm)

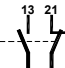
X-FSC

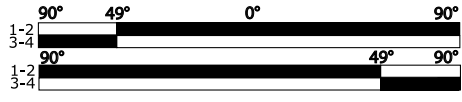
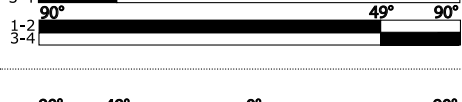
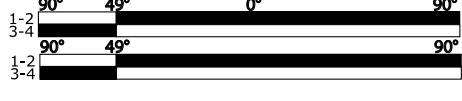
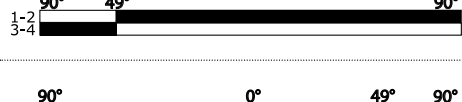
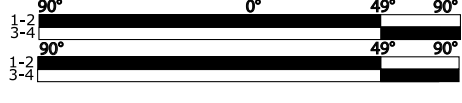
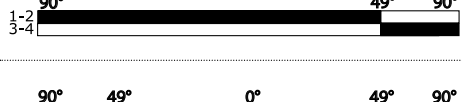
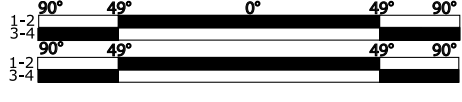
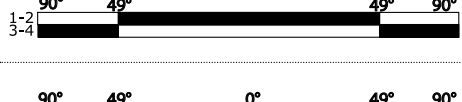
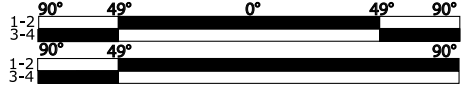
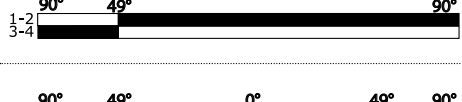
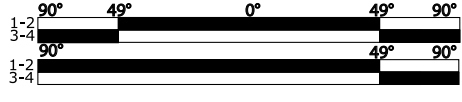
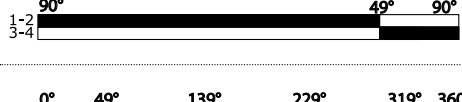

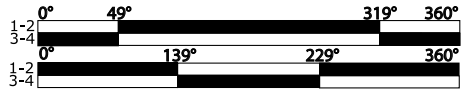
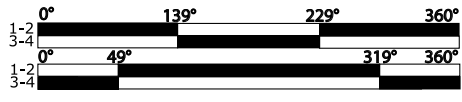


X-FRZ



LIMIT SWITCHES X-FSC

Limit switches X-FSC are equipped with 1NO+1NC snap action switches PRSL0036XX 

Actuating travel	Positions	Rod	Code
	3 maintained	"T" type	PF33710100
	3 maintained	Cross	PF33710200
	3 maintained	"T" type	PF33711100
	3 maintained	Cross	PF33711200
	3 maintained	"T" type	PF33712100
	3 maintained	Cross	PF33712200
	3 maintained	"T" type	PF33713100
	3 maintained	Cross	PF33713200
	3 maintained	"T" type	PF33714100
	3 maintained	Cross	PF33714200
	3 maintained	"T" type	PF33715100
	3 maintained	Cross	PF33715200
	4 maintained	Cross	PF33750100
	4 maintained	Cross	PF33751100
	4 maintained	Cross	PF33752100

LIMIT SWITCHES X-FRZ

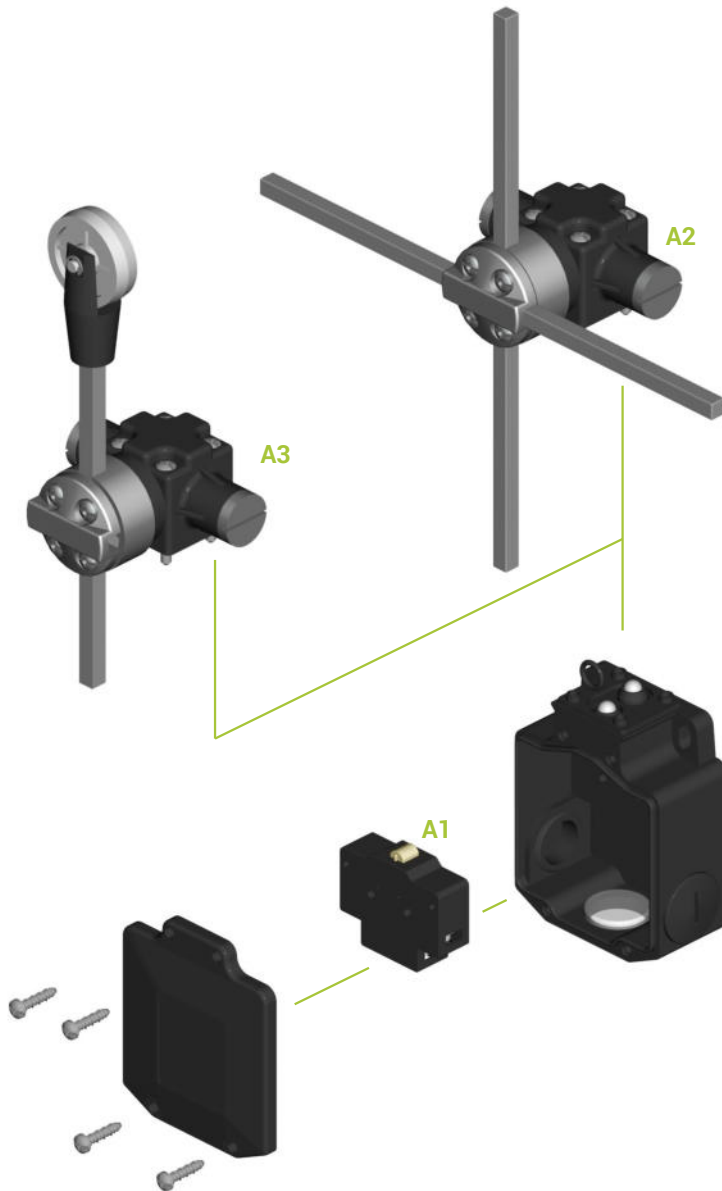
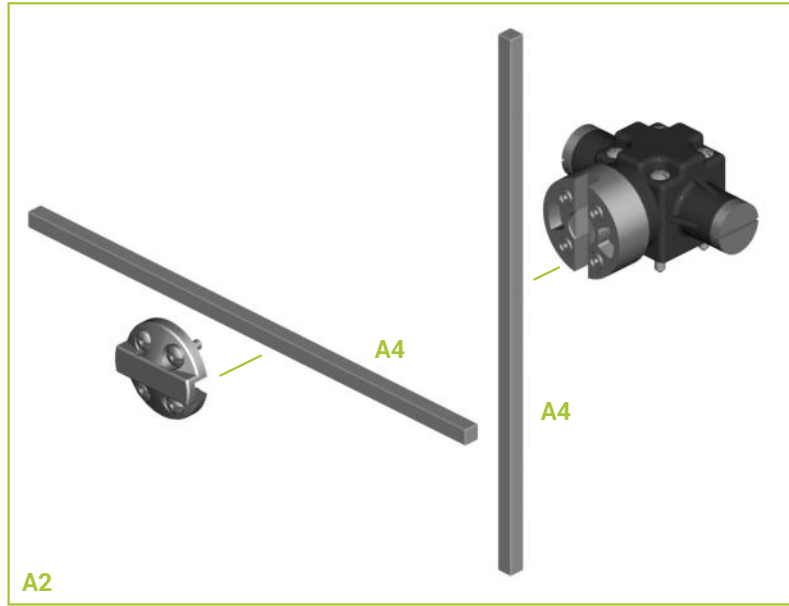
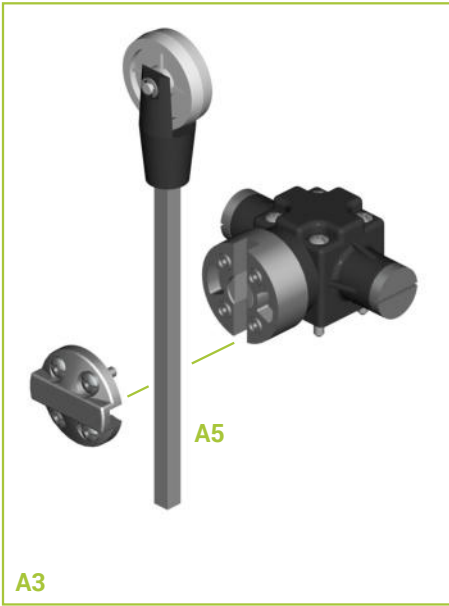
Limit switches X-FRZ are equipped with 1NO+1NC snap action switches PRSL0036XX



5

Actuating travel	Positions	Rod	Code
	Spring return	Rod	PF33700100
	Spring return	Rod and roller	PF33700200
	Spring return	Rod	PF33701100
	Spring return	Rod and roller	PF33701200
	Spring return	Rod	PF33702100
	Spring return	Rod and roller	PF33702200
	Spring return	Rod	PF33703100
	Spring return	Rod and roller	PF33703200
	Spring return	Rod	PF33704100
	Spring return	Rod and roller	PF33704200
	Spring return	Rod	PF33705100
	Spring return	Rod and roller	PF33705200


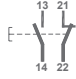
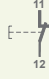
ASSEMBLY DRAWING



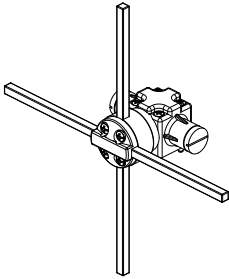
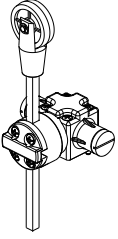
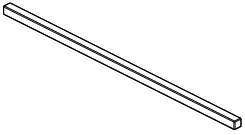
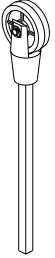
Refer to the following tables for descriptions of components: "Switches" and "Accessories".

COMPONENTS

Switches

Ref.	Drawing	Description	Scheme	Code
A1		1NO+1NC snap action switch		PRSL0036XX
		1NC slow action switch		PRSL0037XX

Accessories

Ref.	Drawing	Description	Code
A2		Head with cross rods	PF33_..._TE Codes on request
A3		Head with rod and roller	PF33_..._TE Codes on request
A4		Rod 6x6x200 mm	PRT03006PE
		Red rod 6x6x200 mm	PRT03007PE
		Rod 6x6x300 mm	PRT03012PE
A5		Rod 6x6x130 mm with roller	PRSL0850PI